



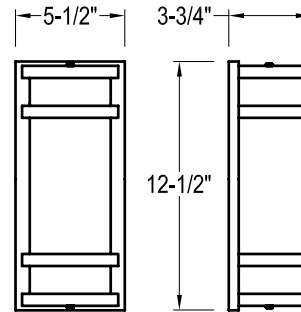
# Fixture Specification

MODEL #: **BSL**

STYLE / LAMP / LAMP / WATTAGE / KELVIN / BALLAST / FINISH / LENS / ACCESSORIES / SIZE / COMPLIANCE  
 QTY TYPE DETAIL



PROJECT : \_\_\_\_\_ TYPE : \_\_\_\_\_ NOTE : \_\_\_\_\_



## Light Source

Type	Twin Tube				Quad		Triple		
Wattage	9	13	18	24	36	18	26	32	42
Quantity	2	1/2	1/2	-	-	1/2	1/2	1	-

## Standard Features

<b>BASE</b>	Aluminum Construction Mounts to Electric Box with Center Nipple	<b>FINISH</b>	Polished Aluminum	<b>LENS</b>	Smooth White Acrylic UV Stabilized Non Yellowing
<b>LAMP</b>	Twin, Quad, and Triple - 2700K	<b>TECHNOLOGY</b>	Electronic Ballast Normal Power Factor 120V-60Hz AC UL Listed Damp Location		

## Special options

Please Note: Standard Features May Change if Fixtures are Ordered with Special Option(s).

<b>BALLAST</b>	<input type="checkbox"/> DV 120/277 <input type="checkbox"/> EBD Dimmable <input type="checkbox"/> EMG Emergency <input type="checkbox"/> HPF High Power Factor <input type="checkbox"/> V 277 Volt	<b>FINISH</b>	<input type="checkbox"/> FB Black <input type="checkbox"/> FBZ Bronzestone <input type="checkbox"/> FCU Custom <input type="checkbox"/> FPB Polished Brass <input type="checkbox"/> FSB Satin Brass <input type="checkbox"/> FSC Satin Chrome	<b>COMPLIANCE</b>	<input type="checkbox"/> ES Energy Star <input type="checkbox"/> MIA  Made In America
<b>KELVIN</b>	<input type="checkbox"/> 3500K <input type="checkbox"/> 4100K	<b>TECHNOLOGY</b>	<input type="checkbox"/> GU24 ( Energy Star Compliant Component ) <input type="checkbox"/> LED <input type="checkbox"/> Occupancy Sensor		

For Additional Accessories and Options Visit [www.aslighting.com](http://www.aslighting.com)

ASL  
25 Twelfth Street  
Brooklyn, NY 11215-3820

Toll Free  
Phone: 800-369-1101  
Fax: 800-552-3465

Local  
Phone: 718-369-1100  
Fax: 718-369-1105

Online  
email: [info@aslighting.com](mailto:info@aslighting.com)  
visit: [www.aslighting.com](http://www.aslighting.com)



© copyright 2008 by American Scientific Lighting Corp. All rights reserved.

**BSL**